

PROFICIENT®

ALL-WEATHER LANDSCAPE SPEAKERS

Satellite Speakers: 4" & 6" (100mm & 152mm)

Each satellite speaker (4" or 6") is sold individually.

Both sizes can be used together depending on your available coverage area.

CONTENTS

- (1) Speaker with Mounting Swivel
- (2) Silicone-Filled Wire Connectors

****MOUNTING ACCESSORIES NOT INCLUDED****

REQUIRED TOOLS:

- Shovel
- Wrench
- Cable Strippers
- Phillips Screwdriver

OPTIONAL ACCESSORIES

(sold separately):

- Ground Stake (AW-LS-STAKE)
- Surface Mount (AW-LS-MOUNT)
- Conduit Box (AW-LS-CONDUIT)

INSTALLATION

CONSIDERATIONS

Before you start digging a trench:

- Test EACH speaker prior to installation.
- Verify that the proposed area is accessible and not prone to flooding or standing water. It is also important to ensure your speakers cannot be easily damaged, kicked, or hit.
- Take into consideration the overall landscape/garden design and positioning in relation to listening area.

AMPLIFICATION GUIDELINES:

Crown CDi 2|600 Amplifier

These passive speakers are optimized for use with the Crown CDi 2|600 amplifier which is preprogrammed with customized DSP settings for a variety of different speaker/subwoofer installations. Please refer to the addendum included in the Crown Cdi 2|600 for additional instructions.

WARNING:

- **PLEASE READ AND FOLLOW ALL INSTRUCTIONS BEFORE BEGINNING YOUR INSTALLATION.**
- **POTENTIAL HAZARDS SUCH AS ELECTRICAL, GAS, BURIED CABLES, PLUMBING OR OTHER OBSTACLES SHOULD BE VERIFIED AND CHECKED BEFORE INSTALLING GROUND STAKES AND/OR OTHER ACCESSORIES.**
- **MANY LOCALITIES FORBID DIGGING WITHOUT PRIOR AUTHORIZATION, SO CONTACT LOCAL AUTHORITIES BEFORE INSTALLATION.**

SPEAKER CABLE

Burial-rated cable (*not included*) is strongly recommended. It is also important to use the proper speaker cable gauge depending on the size of your area.

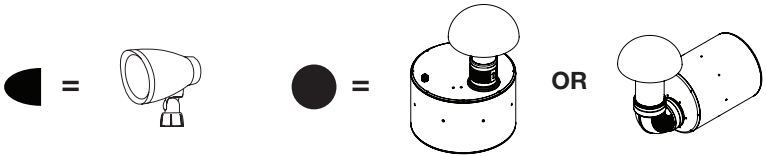
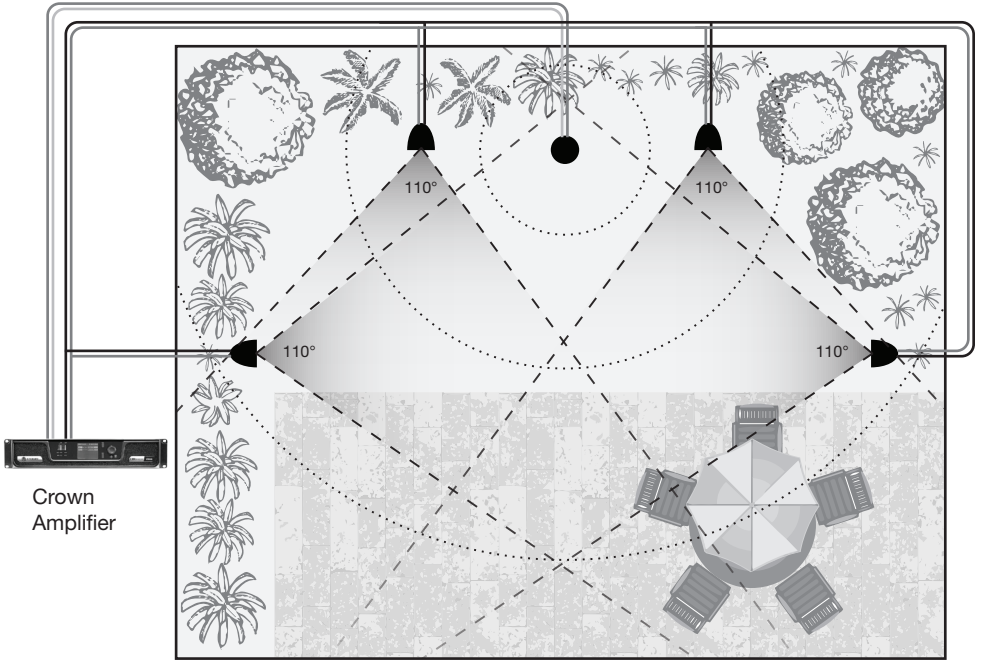
Cable Gauge	Distance
18 Gauge	Up to 100 ft (30m)
16 Gauge	Up to 150 ft (45m)
14 Gauge	Up to 200 ft (61m)
12 Gauge	Up to 400 ft (122m)
10 Gauge	Up to 650 ft (198m)

Other Amplifiers

The passive speakers are compatible with high impedance (70V/100V) or low impedance amplifiers. The minimum recommended power per channel in low impedance mode is 25W/Channel. A high pass filter of around 100-110Hz is recommended for the 4" landscape speaker while a high pass filter of around 90-100Hz is recommended for the 6" landscape speaker.

PLANNING THE INSTALL

- Determine the location of your speakers.
- Determine the positioning of subwoofer and satellite speakers.
- Dig the trench according to speakers and accessories to be installed.
- The trench should be 6" - 8" deep.



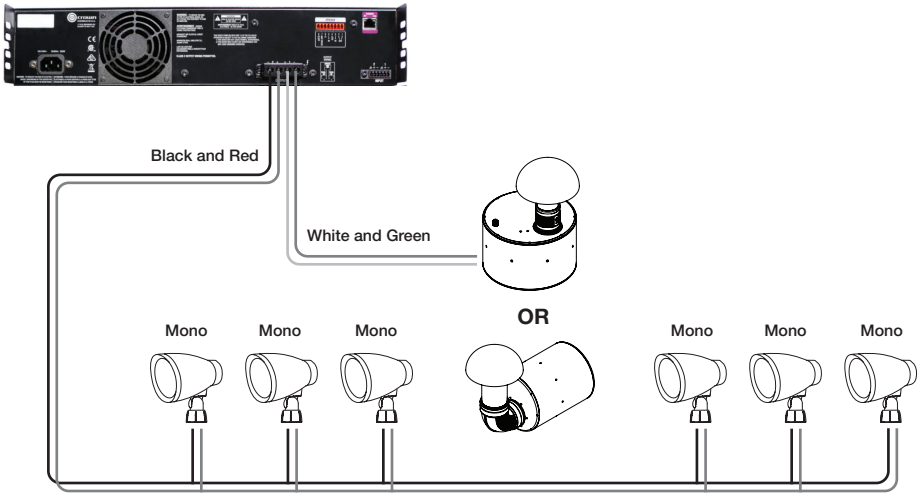
4 Conductor Burial Wire

Speakers: Black (-) and Red (+)

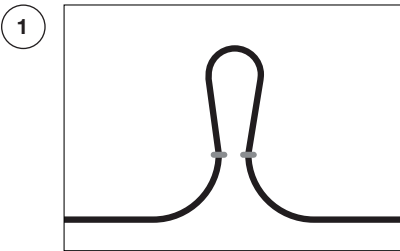
Subwoofer: Green (-) and White (+)

WIRING & SPEAKER INSTALLATION

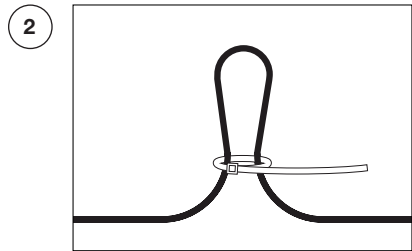
Mono Setup Using 4-Conductor Burial Cable & Crown Amplifier



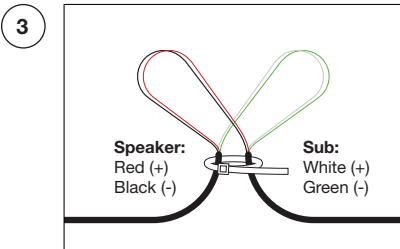
Burial Cable Preparation



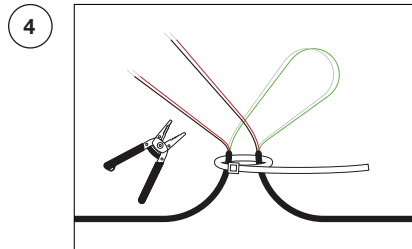
Create a loop approximately 6" in length starting with the first speaker and every speaker/sub thereafter.



Use a wire tie (*not included*) to keep the wire loop intact and act as a strain relief.



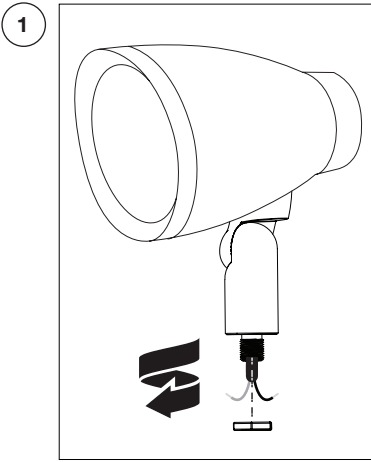
Use a Wire Stripper to remove the outside protective jacket to expose the four color coded wires. Separate the wire loops as shown.



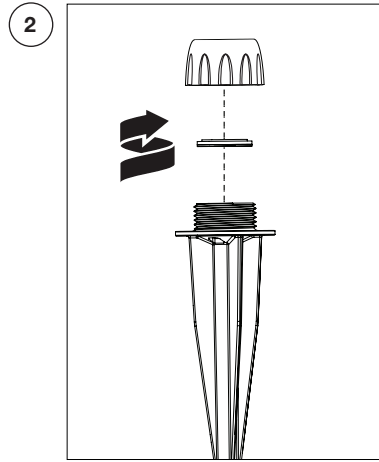
Cut the red (+) and black (-) wires with cable strippers and strip off 1 inch (25mm) of insulation from the wire ends to expose the copper conductor.

WIRING & SPEAKER INSTALLATION

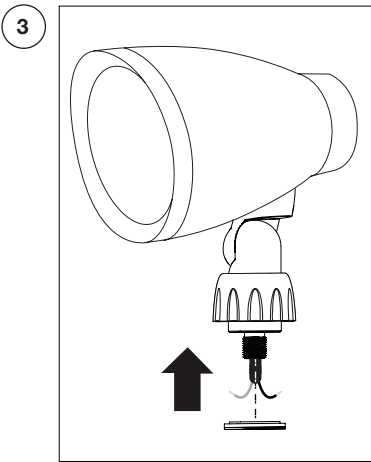
Installing OPTIONAL Ground Stake Accessory



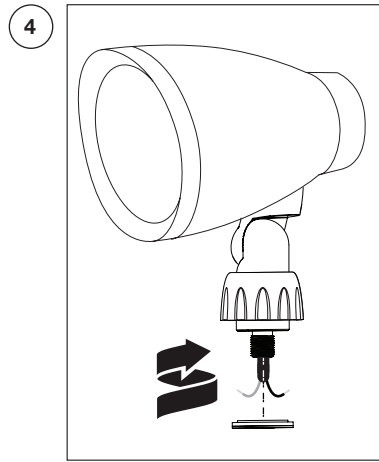
1 Remove the installed nut from the bottom threaded end of the speaker mount.



2 Unscrew the twist cap and gasketed washer from the ground stake.



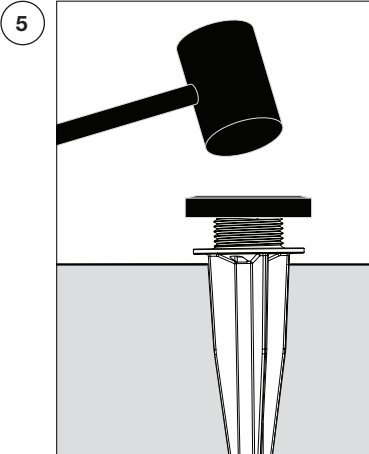
3 Slide the ground stake twist cap over the speaker arm. Now slide the gasketed washer from the ground stake over the threaded end of speaker mount.



4 Thread and firmly tighten the nut (removed in step 1) over the threaded end of the speaker mount with a wrench.

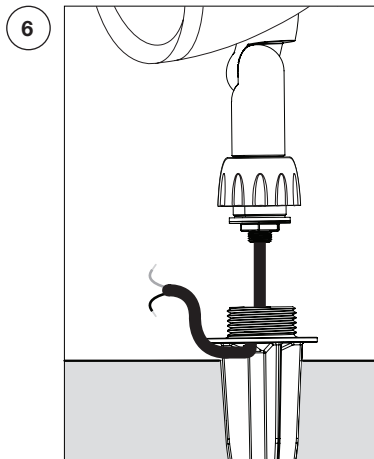
IMPORTANT:

The face of the washer with the black colored rubber gasket must be installed facing up.

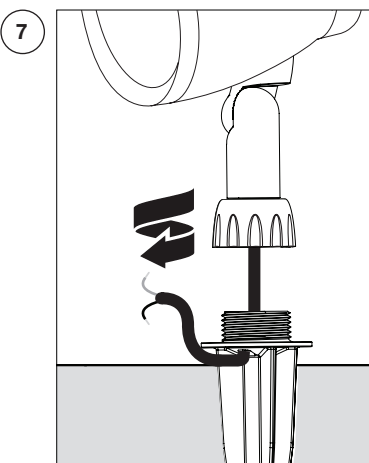


Install the ground stake by pounding the stake into the ground with a mallet (use a wood block to prevent damage to the stake). Drive the stake down until the stake's flange is nearly flush with the surface.

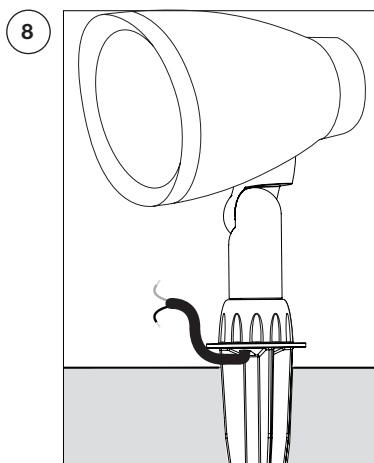
NOTE: Leave a slight gap between the ground stake flange and ground surface in order to allow speaker wiring to be fed through wire hole.



Feed the speaker wiring through the hole in the ground stake.



Attach and tightly secure the twist cap to the ground stake by hand.



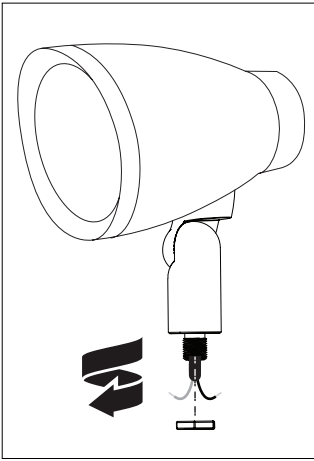
Once the speaker is mounted to the ground stake, the next step is wiring (see "Wiring" section for more details).

For wiring instructions, see "Speaker & Burial Cable Connections" on page 8

WIRING & SPEAKER INSTALLATION

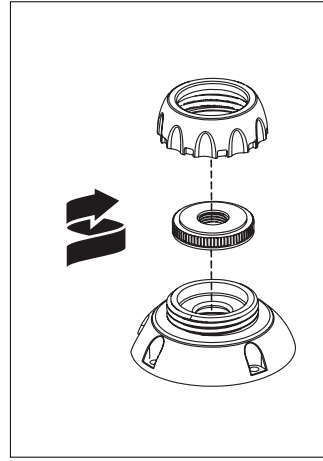
Installing OPTIONAL Surface Mount Accessory

1



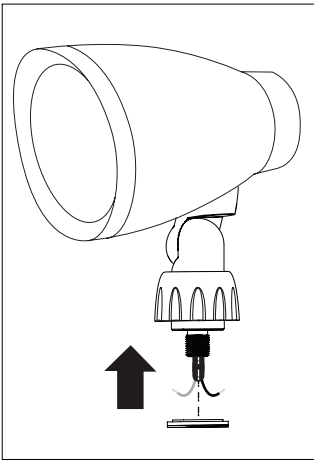
Unscrew nut from the threaded end of the speaker mount.

2



Remove the twist cap and gasketed washer from the surface mount.

3

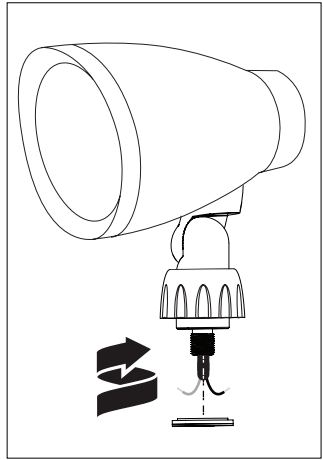


Slide the twist cap over the speaker arm, then slide the gasketed washer (from the surface mount) over the threaded end of speaker mount.

IMPORTANT:

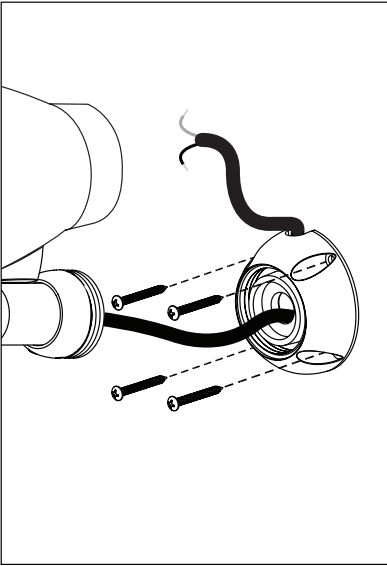
The face of the washer with the black colored rubber gasket must be installed facing up.

4



Using a wrench, thread and firmly tighten the nut using a wrench (removed in step 1) over the threaded end of the speaker mount.

5

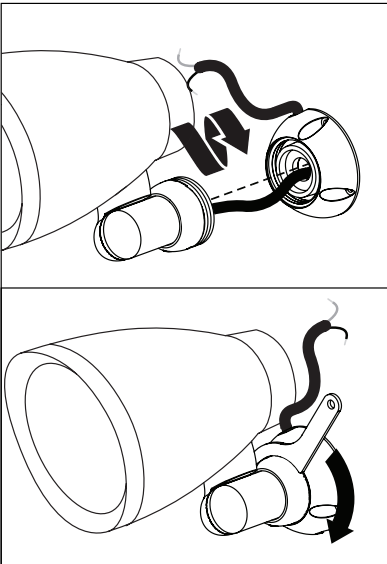


Thread the speaker wire through the center hole and out of the wire opening on the surface mount base. Place surface mount base flush against the surface you wish to install your speaker. To attach surface mount base to the surface, use appropriate screws (not supplied) for your installation.

For specifications on screws, see your dealer for details.

Note: For a wall-mounted installation where a wire connection is contained within the surface mount base, please follow these instructions. It is recommended that the speaker wire be cut short and the wire sleeve should be removed to expose the red (+) and black (-) wires. Follow steps 6 a-b, but do not attach the assembled speaker with surface mount base until your wire connections are made with silicone-filled wire connectors covering the exposed wire connections. The wire connections with silicone-filled wire connectors must be stuffed inside the surface mount base before attaching to the desired surface with appropriate screws (not supplied) for your installation. For specifications on screws, see your dealer for details.

6



Attach the speaker to the surface mount base:

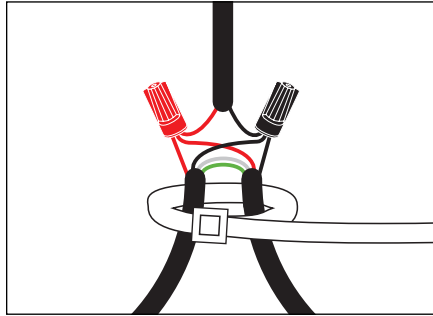
a)
First hand thread the twist cap to the surface mount base.

b)
Now firmly tighten the twist cap with the provided wrench.

For wiring instructions see “Speaker & Burial Cable Connections” on page 8.

WIRING & SPEAKER INSTALLATION

Speaker & Burial Cable Connections

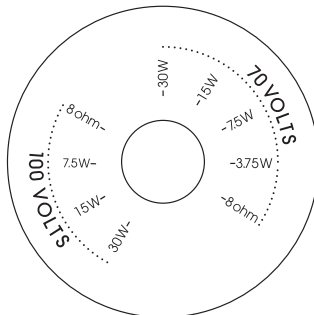


Combine and twist (clockwise) the red wires (see diagram) from the amp, speaker, and to the next speaker in the series. Secure these three wires using the provided silicone-filled wire connectors; Repeat procedure for Black wires.

NOTE: If necessary, cut some of the speaker cable from the speaker to a more manageable length.

Speaker Adjustment & Tap Settings

1. Once installed, loosen the screw in the speaker arm mount and re-tighten once the desired angle (directivity) is achieved.
2. Remove the rear tap cover and manually turn the dial on each satellite speaker to correspond with the number of satellite speakers and subwoofers in your installation.
3. If you are using the speakers with the Crown CDi 2|600 select the correct preprogrammed DSP setting based on your speaker configuration (Please refer to the addendum included in the Crown Cdi 2|600 for additional instructions)



OPTIONAL IN-GROUND CONDUIT BOX

(Conduit is sold separately)

Follow the same instructions outlined for the ground stake or surface mount accessory. The In-Ground Conduit Box can be substituted.

Knock out the holes in the In-Ground Conduit Box as needed.

Included:

- (1) In-Ground Conduit Box
- (1) Two Piece Mounting Post
- (4) Stainless Steel Screws
- (4) Ground Stakes

Recommended Tools:

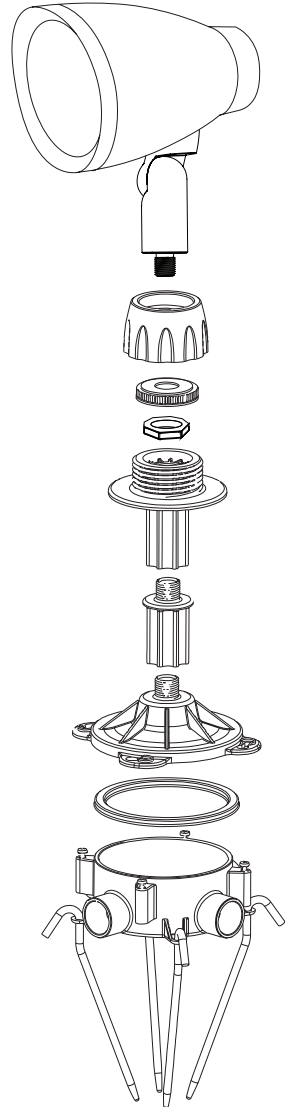
- Drill
- PVC Glue – for PVC conduit or fittings
- Silicone Caulk
- Shovel
- Hammer
- #2 Phillips Screwdriver
- Wrench

Installation Instructions

***IMPORTANT!** Test your system before gluing or caulking any part of the In-Ground Conduit Box or any conduit piping connections. Use silicone caulk to seal any openings used for cable. Allow caulk and glue to dry completely before burying the In-Ground Conduit Box.

OPTION 1: PVC Conduit Installation – Knock out the conduit openings to be used. Glue the conduit piping to the In-Ground Conduit Box.*Draw the cable through the conduit and pull at least 8 inches of cable into the box cavity.

Note: The In-Ground Conduit Box openings are 3/4" in diameter. Other conduit piping sizes may be used with adapters.



OPTIONAL IN-GROUND CONDUIT BOX

OPTION 2: In-Ground Cable Installation – Drill a hole into the center of the knock out slightly larger than the cable. Route the cable through and pull at least 8 inches of cable into the box cavity. Seal the entrance completely with Silicone. Place the In-Ground Conduit Boxes in their appropriate trench location, ensuring a minimum depth of 6 inches.

3. Install the satellite speaker to the In-Ground Conduit Box lid using the two-piece post. Use silicone in the threads to seal the Box against moisture.
4. Use the silicone-filled wire connectors included with the speaker to terminate the wiring connections. Turn the silicone-filled wire connectors clockwise by hand until they are tight.
5. The box may now be closed. A weatherproof gasket is attached to the cover, but for additional water intrusion protection, line the inside edge of the cover with silicone where it contacts the box, then assemble the box using the 8 screws. Tighten the screws tightly by hand with a #2 screwdriver.
6. Anchor In-Ground Conduit Box in the hole using the 4 provided stakes. Install all speakers and test the system before burying the boxes and wiring.
7. Adjust the speaker angle and position.

TEST SYSTEM

Connect the wires to your receiver or amplifier after all satellites and subwoofer connections are completed.

IMPORTANT: Be sure to not let any stray “+” and “-” strands touch each other. A short circuit could damage your amplifier.

Turn your receiver or amplifier ON and test the system with your favorite music. If the speakers are operating properly, refill the wire trench and enjoy your installed speakers.

AVOID SPEAKER DAMAGE

Don't be fooled by your amplifier's volume control. It adjusts listening level and does not indicate power output. If your speakers begin to sound harsh or the bass is breaking up, turn the volume down immediately or you will damage your speakers. This type of damage constitutes abuse and is not covered by warranty.

Tone controls and equalizers can demand even more power from an amplifier, lowering the point at which it produces clipping distortion. Use them sparingly, if at all, and do not use them when listening at loud levels.

LISTENING OUTDOORS

Outdoors there are no walls to contain sound. Background noise is louder and the distance listeners are from the speaker(s) is usually greater. Achieving a reasonable listening level can be more difficult. The tendency is to turn up the volume, however this may disturb others and when turned up too high, can seriously damage your speakers and/or amplifier.

We recommend using multiple satellite speakers in larger areas. Using more speakers ensures that sound is evenly distributed, allowing for reasonable listening levels at lower volumes. Demand on the amplifier is reduced and neighbors are not disturbed.

LIMITED 5-YEAR WARRANTY

Nortek Security & Control, LLC ("Nortek Security & Control") warrants to the original retail purchaser only that this product will be free of manufacturing defects in material and workmanship for the following periods and subject to the limitations and exclusions set forth below:

5-Year Warranty

This warranty is not transferable to subsequent purchasers of the product. To obtain warranty service, contact the authorized dealer where you purchased your product or take the unit to the nearest authorized dealer (with proof of purchase – claims made without proof of purchase will be denied) who will test the product and if necessary, forward it to Nortek Security & Control for service. If there are no authorized Dealers in your area, please contact Nortek Security & Control to receive a factory Return Authorization Number. DO NOT RETURN ANY UNIT WITHOUT FIRST RECEIVING WRITTEN AUTHORIZATION AND SHIPPING INSTRUCTIONS FROM Nortek Security & Control.

Upon examination, Nortek Security & Control will, at its sole option and expense, repair or replace any product found to be defective. Nortek Security & Control will return the repaired or replaced unit to you via its usual shipping method from the factory or repair center to your address in the United States of America or Canada only. Any shipping costs for addresses outside of the United States or Canada shall be the responsibility of the purchaser. In the event that this model is no longer available and cannot be repaired effectively, Nortek Security & Control, at its sole option, may replace it with a different model of equal or greater value, or refund the original purchase price paid.

THE FOREGOING ARE YOUR EXCLUSIVE REMEDIES FOR BREACH OF WARRANTY.

This Warranty does not include service or parts to repair damage caused by improper use or handling, including but not limited to damage caused by accident, mishandling, improper installation, commercial use, abuse, negligence, or any defect caused by repair to the product by anyone other than Core Brands. This warranty does not cover reimbursement for your costs of removing and transporting the product for warranty service evaluation, or installation of any replacement product provided under this warranty.

This Warranty will be void if:

- The Serial Number on the product has been removed, tampered with or defaced.
- The product was not purchased from an authorized dealer or reseller.

THE FOREGOING WARRANTIES ARE EXCLUSIVE AND IN LIEU OF ALL OTHER EXPRESSED AND IMPLIED WARRANTIES.

NORTEK SECURITY & CONTROL EXPRESSLY DISCLAIMS ALL SUCH OTHER WARRANTIES, INCLUDING BUT NOT LIMITED TO IMPLIED WARRANTIES OF MERCHANTABILITY, FITNESS FOR A PARTICULAR PURPOSE AND NON-INFRINGEMENT, WITH RESPECT TO THE PRODUCT. TO THE MAXIMUM EXTENT PERMITTED BY LAW, NORTEK SECURITY & CONTROL SHALL NOT BE RESPONSIBLE FOR ANY INCIDENTAL OR CONSEQUENTIAL DAMAGES EXCEPT TO THE EXTENT PROVIDED (OR PROHIBITED) BY APPLICABLE LAW, EVEN IF NORTEK SECURITY & CONTROL HAS BEEN ADVISED OF THE POSSIBILITY OF SUCH DAMAGES.

Notwithstanding the above, if you qualify as a "consumer" under the Magnuson-Moss Warranty Act, or applicable state laws, then you may be entitled to any implied warranties allowed by law for the Warranty Period. Further, some states do not allow limitations on how long an implied warranty lasts or allow the exclusion or limitation of consequential damages, so such limitations may not apply to you. This warranty gives you specific legal rights, and you may also have other rights which vary from state to state.

For the name of your nearest authorized dealer, contact: Nortek Security & Control, 5919 Sea Otter Place, Suite 100 Carlsbad, CA 92010, or call (800) 472-5555 or (707) 778-5733.

With regard to sales over the Internet, please be advised that Nortek Security & Control only sells products through a select group of authorized Internet Resellers. Products offered on the Internet through unauthorized Internet dealers are not covered by Nortek Security & Control.

1. Goods acquired on a secondary or gray market
2. Counterfeit or stolen goods
3. Damaged, or defective goods

Please fill in your product information and retain for your records.

Model _____ Serial No. _____ Purchase Date _____

ATTENTION: TO OUR VALUED CONSUMERS:

To insure that consumers obtain quality pre-sale and after-sale support and service, products are sold exclusively through authorized dealers. This warranty is VOID if the products have been purchased from an unauthorized dealer.

Nortek Security & Control offers a variety of accessories to make your installation of this and other products easy, economical, and professional. To learn more about our products, technologies and specifications, go to: www.nortekcontrol.com or contact your authorized Dealer for more information. For technical inquiries, please call 1-800-448-0976

In our attempt to constantly improve our products, features and specifications are subject to change without notice.

