

HCI+2

2-Foot Rail Extension

For Use with HCI-12 12-foot "I-beam" Rail

Installation Instructions

Linear

Building On Innovation.

USA & Canada (800) 421-1587 & (800) 392-0123
(760) 438-7000 - Toll Free FAX (800) 468-1340
www.linearcorp.com

1. PRODUCT DESCRIPTION

The Model HCI+2 2-foot "I-rail" extension is designed to be compatible with the Model HCI-12 12-foot chain-drive "I-rail" used in commercial garage door installations and in carriage house garage door installations. The 2-foot extension, when added to the 12-foot "I-rail", provides a 14-foot long rail for operating high-lift doors.

The kit includes two "T-rail" sections that bolt together to form an "I-rail" and connect to the main "I-rail" using two reinforcing straps. The kit also includes two short lengths of chain to extend the stock chain.

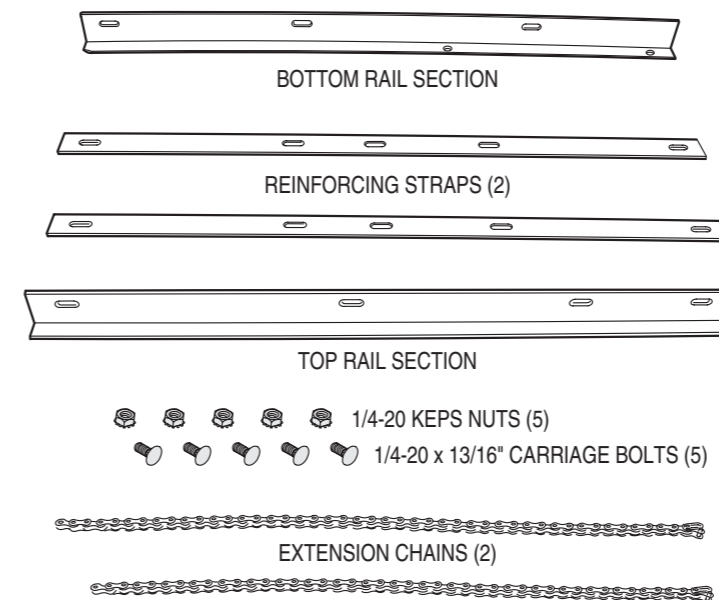
IMPORTANT NOTE:

Linear's pre-assembled chain-drive rails are now being produced configured for quieter operation with the trolley traveler located next to the turnbuckle on the chain (turnbuckle adjacent). Earlier chain rails have the trolley traveler located on one side of the rail, and the turnbuckle located on the other side of the rail (turnbuckle opposite). **This extension kit will work for both types of rail configurations.**

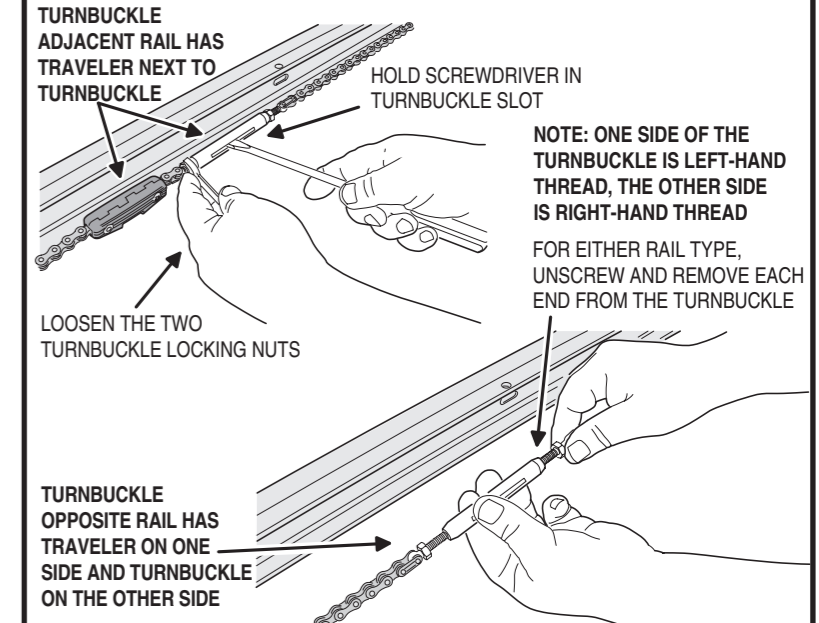
When using this extension with the *turnbuckle adjacent rails*, connect the two short lengths of extension chain supplied together to form one longer chain, and attach that chain to the non-traveler side of the turnbuckle. See Steps 15 & 16.

When using this extension kit with the *older rails*, attach a short extension chain to each side of the turnbuckle. See Steps 15 & 16.

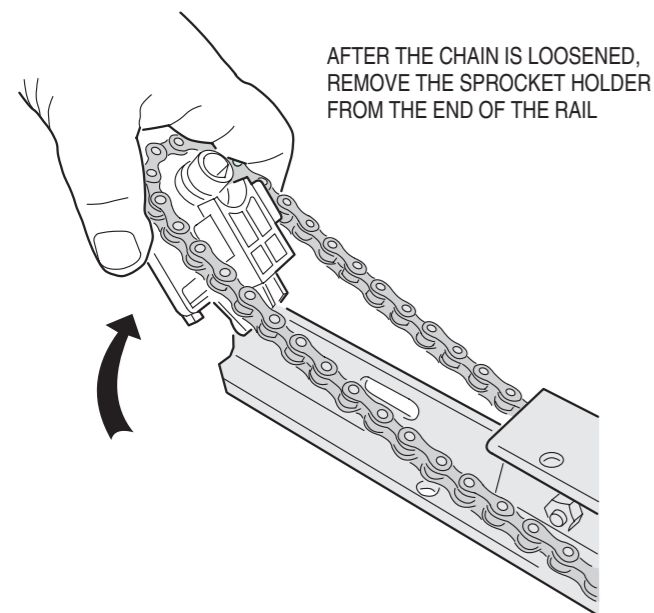
2. KIT CONTENTS



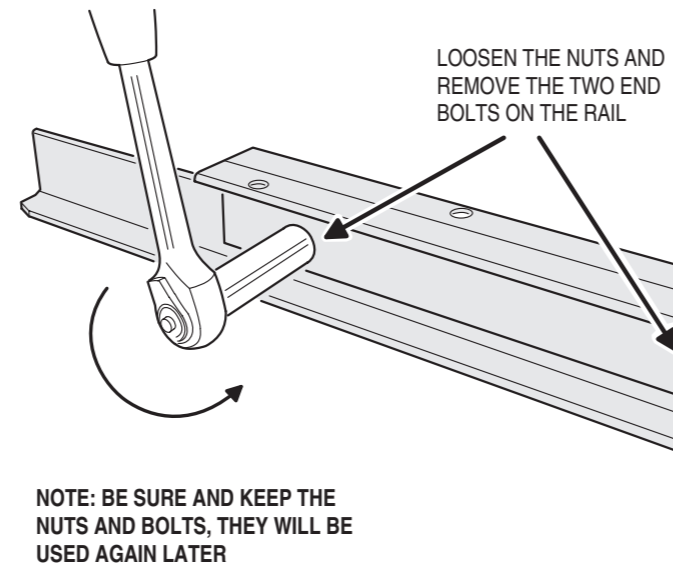
3. LOOSEN AND DISASSEMBLE TURNBUCKLE



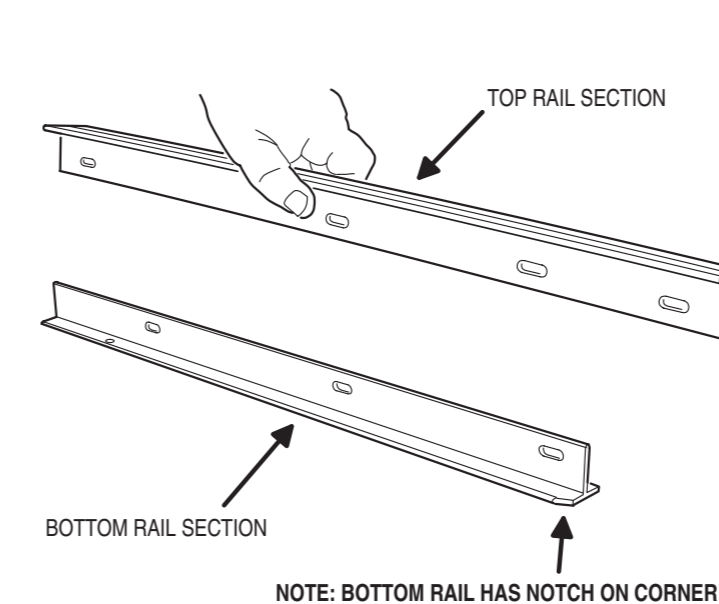
4. REMOVE SPROCKET



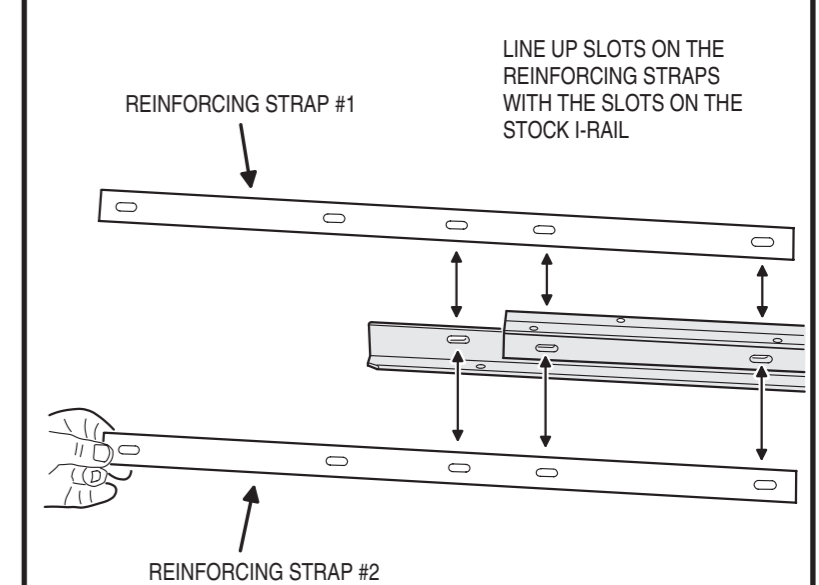
5. REMOVE RAIL BOLT



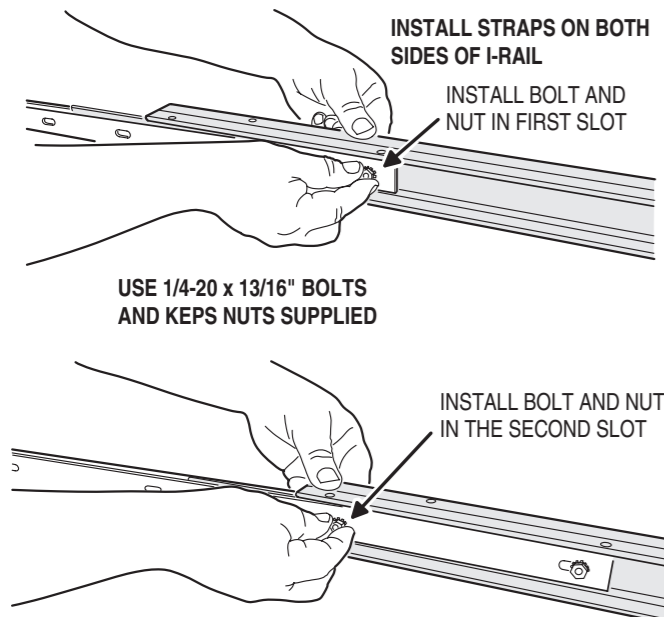
6. IDENTIFY TOP AND BOTTOM EXTENSION RAILS



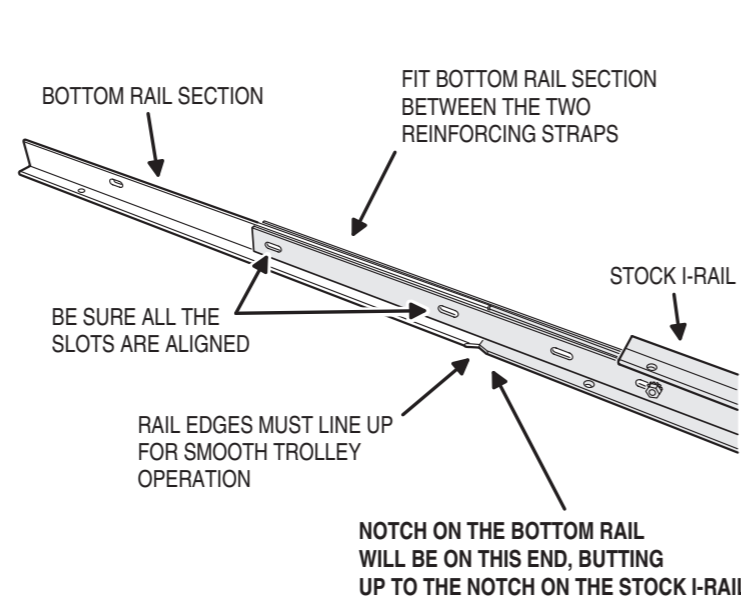
7. ALIGN REINFORCING STRAPS



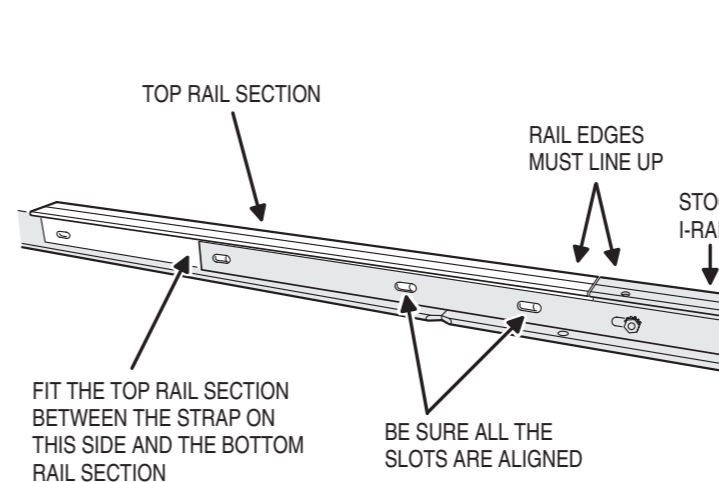
8. INSTALL FIRST TWO STRAP BOLTS



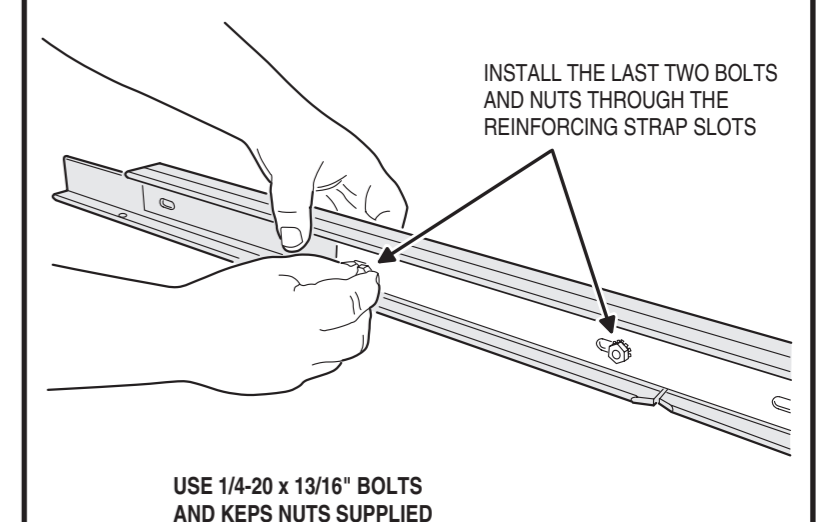
9. PLACE BOTTOM EXTENSION RAIL BETWEEN STRAPS



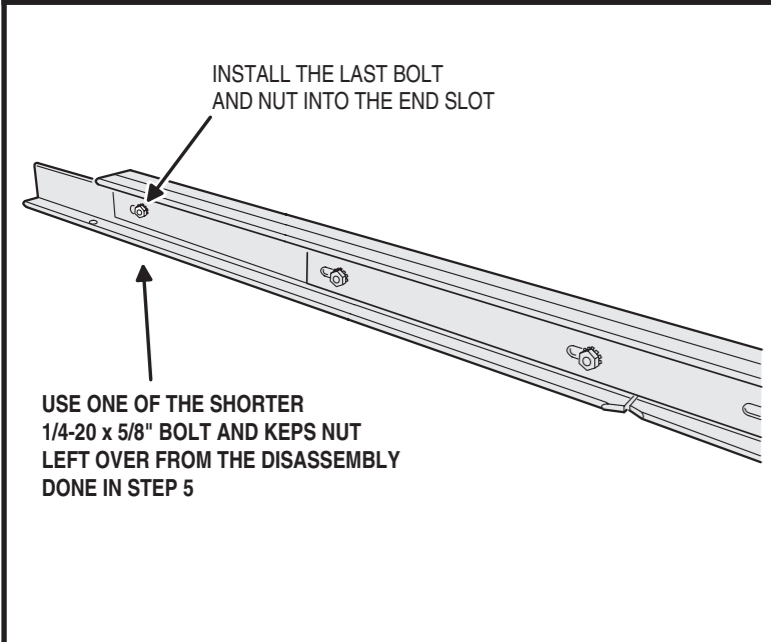
10. ALIGN TOP EXTENSION RAIL BETWEEN STRAPS



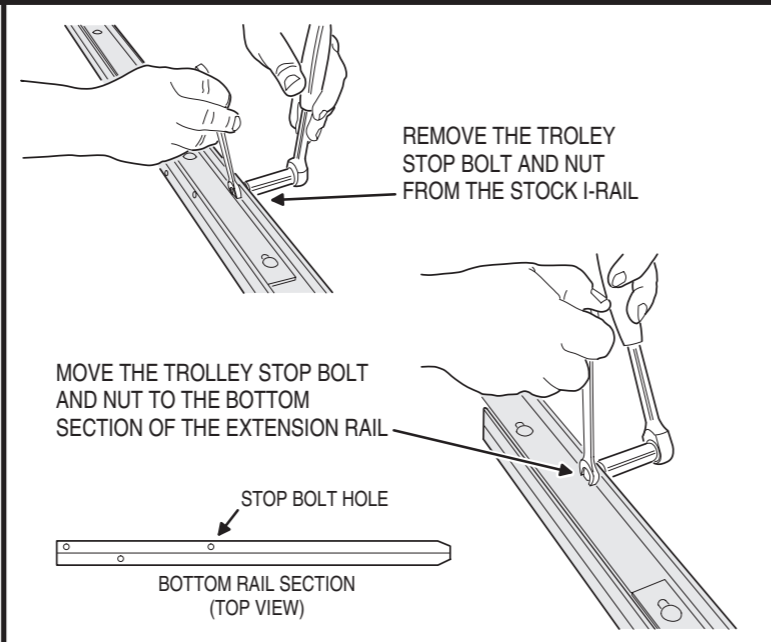
11. INSTALL REMAINING TWO STRAP BOLTS



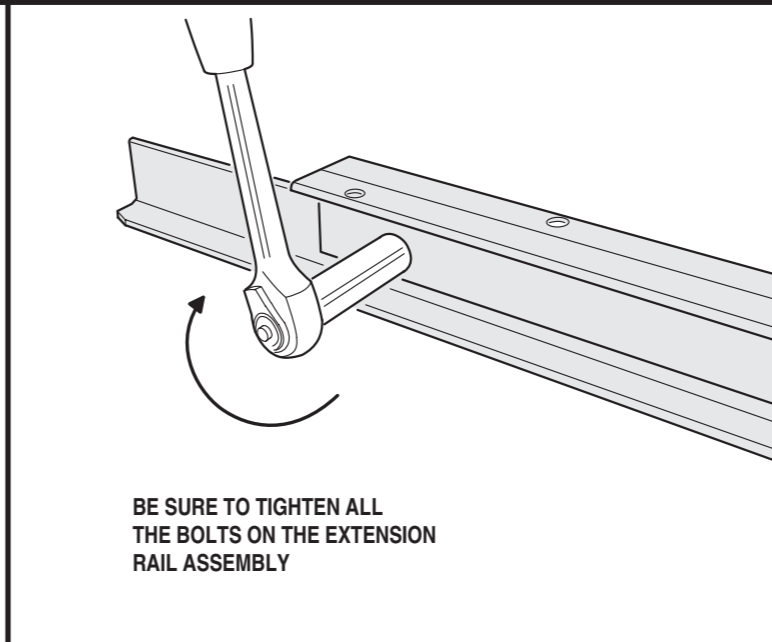
12. INSTALL FINAL BOLT



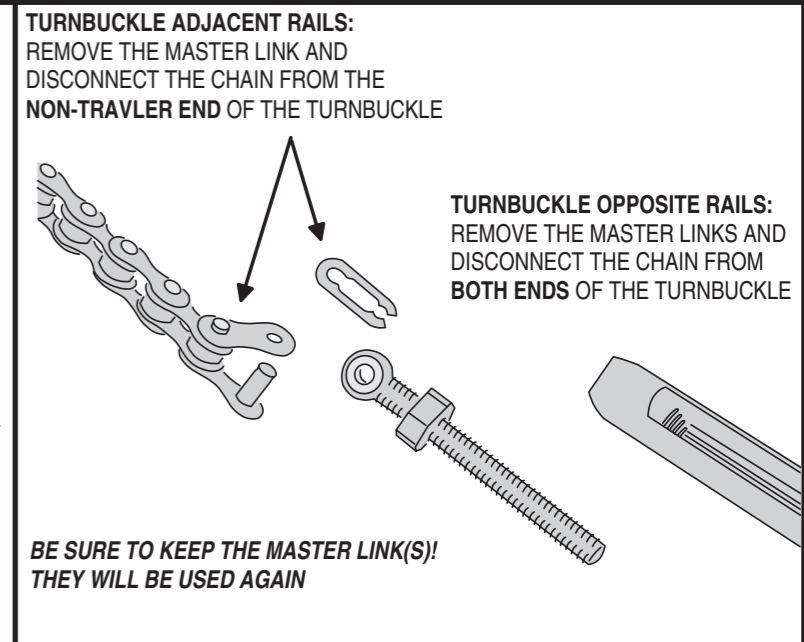
13. REPOSITION THE TROLLEY STOP BOLT



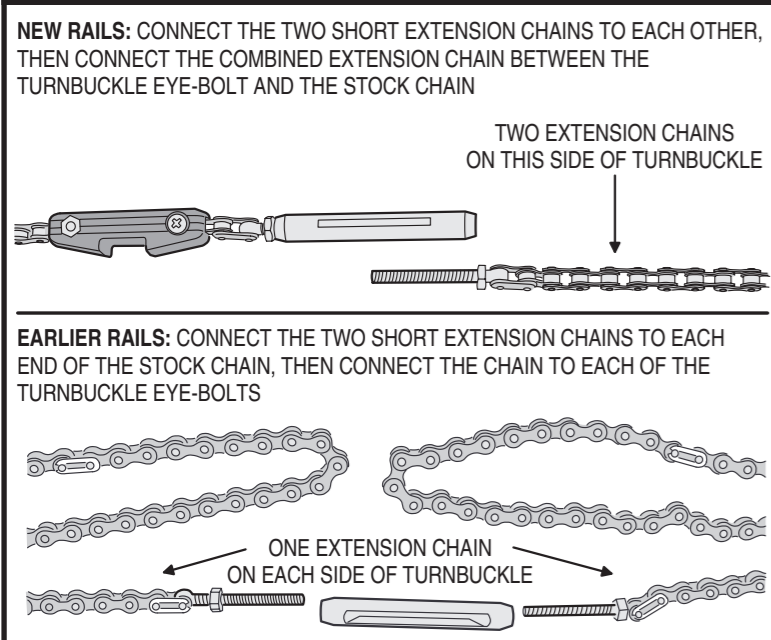
14. TIGHTEN ALL BOLTS



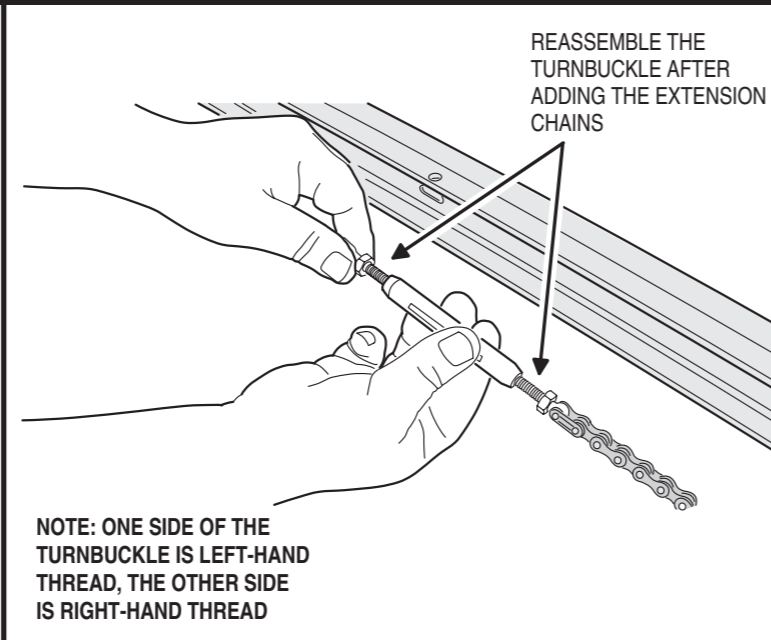
15. REMOVE CHAIN FROM TURNBUCKLE



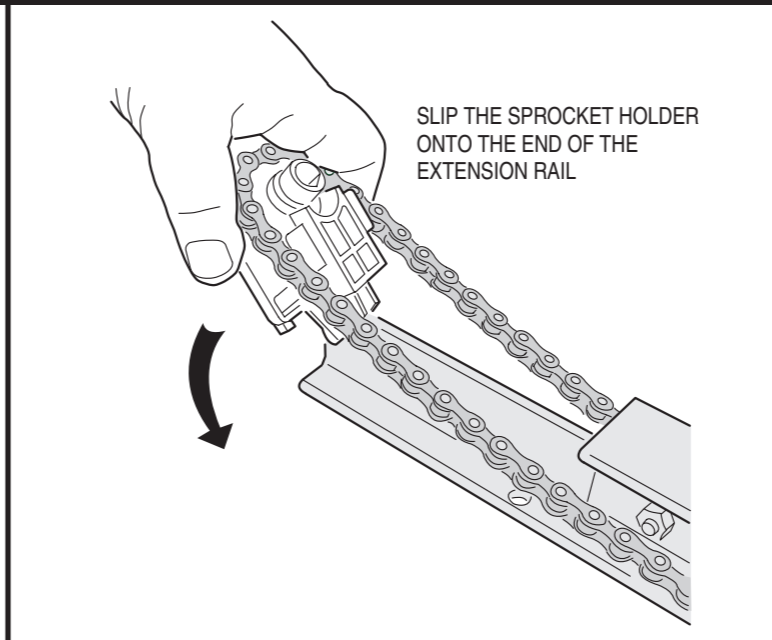
16. ADD SHORT CHAINS TO TURNBUCKLE



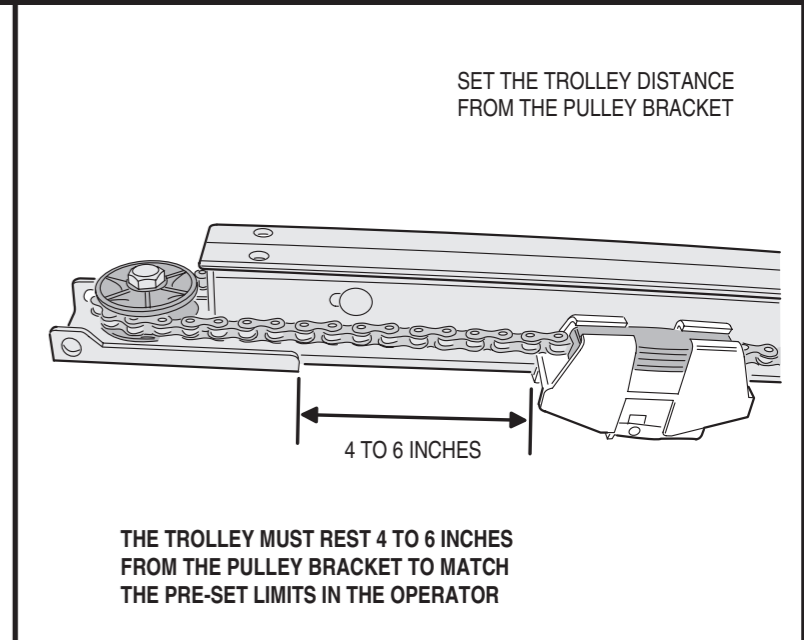
17. REASSEMBLE TURNBUCKLE



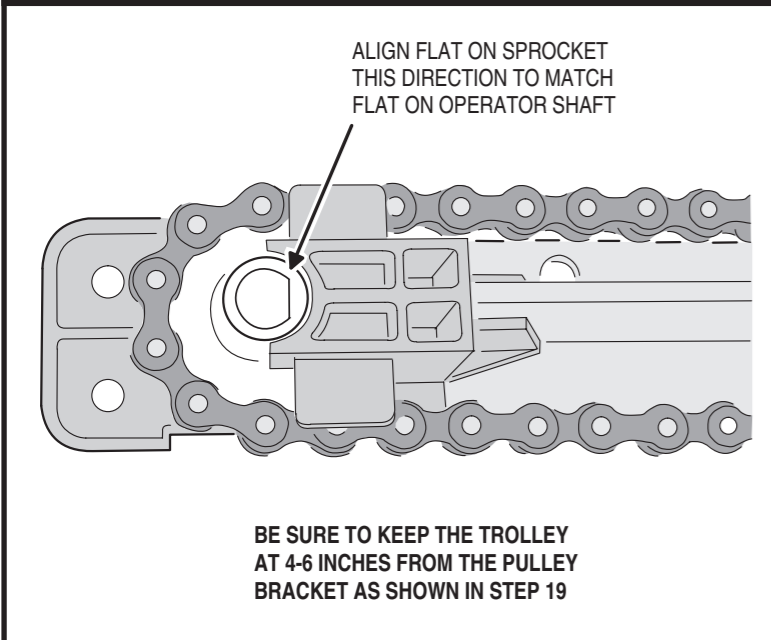
18. REINSTALL SPROCKET



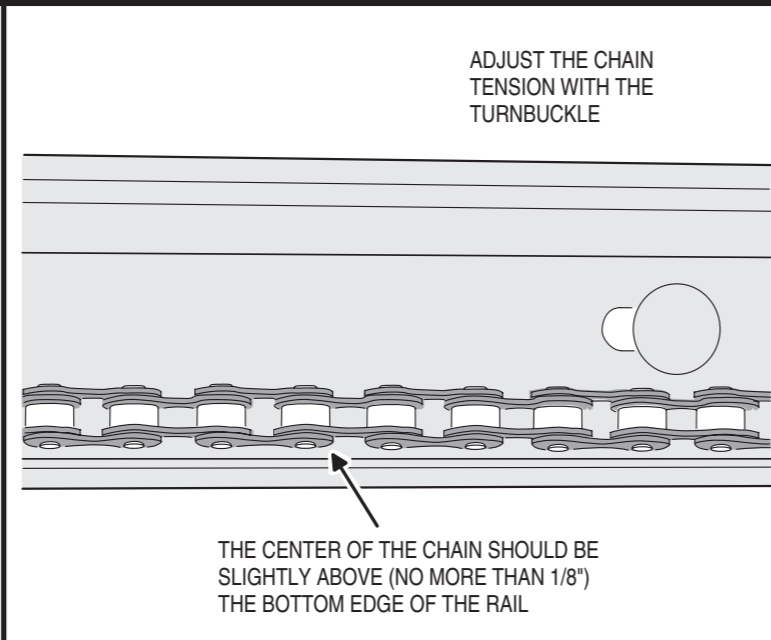
19. SET TROLLEY POSITION



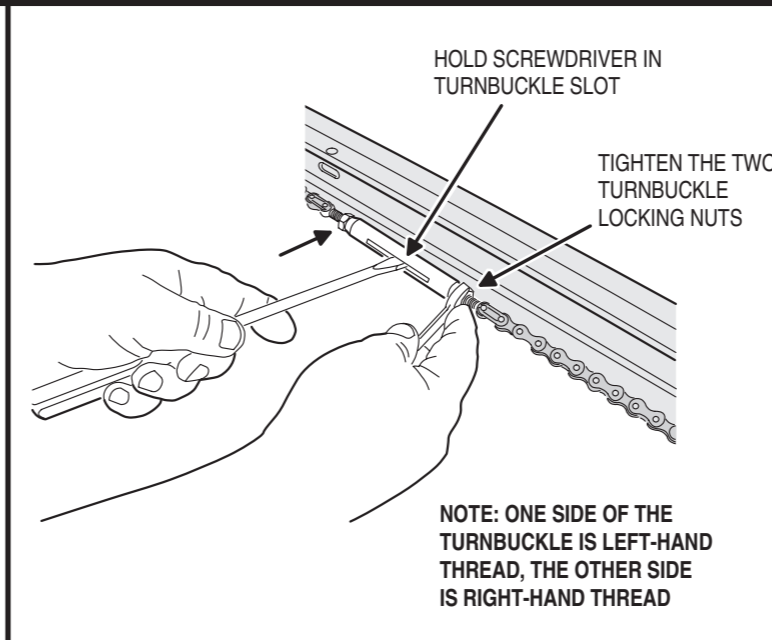
20. ADJUST SPROCKET POSITION



21. ADJUST CHAIN TENSION



22. TIGHTEN TURNBUCKLE LOCKNUTS



LIMITED WARRANTY

This product is warranted to the original consumer against defects in material and workmanship for five (5) years. Linear will repair, or at its option, replace, any device that it finds requires service under this warranty, and will return the repaired or replaced device to the consumer at Linear's cost. Devices must be sent to Linear for service at owner's expense. This warranty does not apply to damage to the product from negligence, abuse, abnormal usage, misuse, accidents, normal wear or tear or due to failure to follow Seller's instructions, or arising from improper installation, storage or maintenance. In no event will Linear be responsible for incidental, compensatory, punitive, consequential, indirect, special or other damages. The remedies provided by this warranty are exclusive. Some states do not allow the exclusion or limitation of incidental and consequential damages, so the above limitation or exclusion may not apply to you. Any warranties implied by law are limited to the time periods set forth above. Some states do not allow limitations on how long an implied warranty lasts, so the above limitation may not apply to you. This warranty gives you specific legal rights, and you may also have other rights which vary from state to state.

For warranty service and shipping instructions contact Linear at the phone number shown below. In order to be protected by this warranty, save your proof of purchase and send a copy with equipment should repair be required. All products returned for warranty service require a Return Product Authorization Number (RPA#). Contact Linear Technical Services at 1-800-421-1587 for an RPA# and other important details.

Copyright © 2010 Linear LLC

230765 A